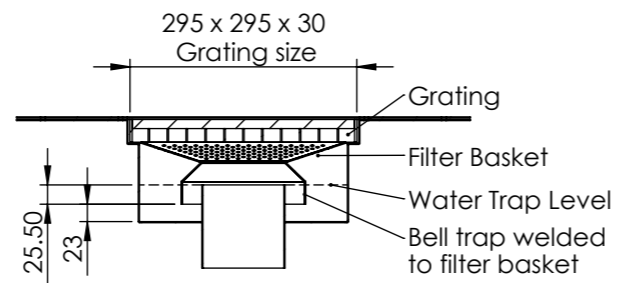
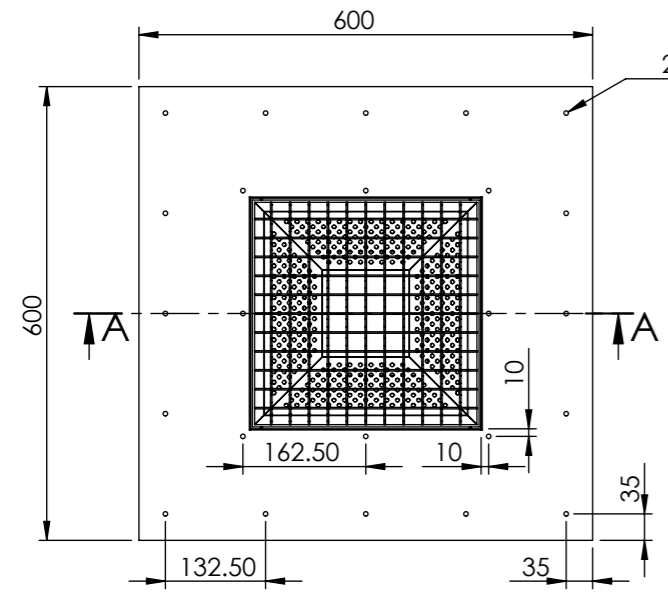
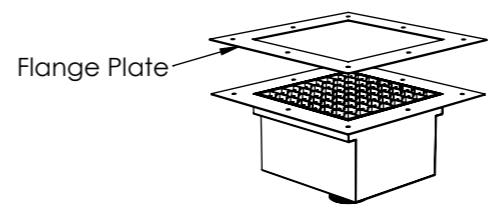
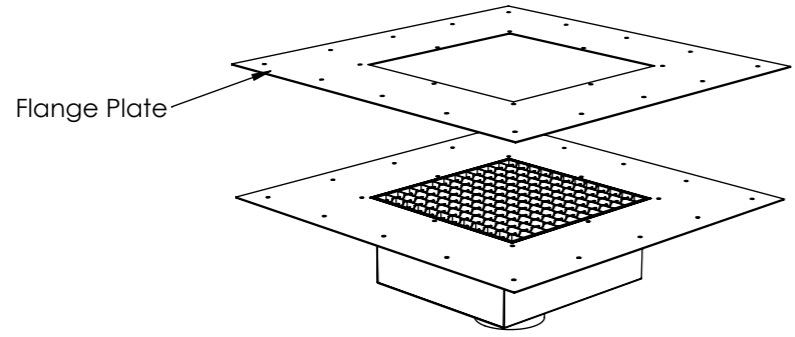


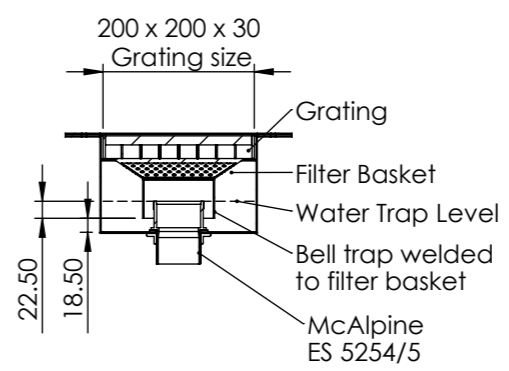
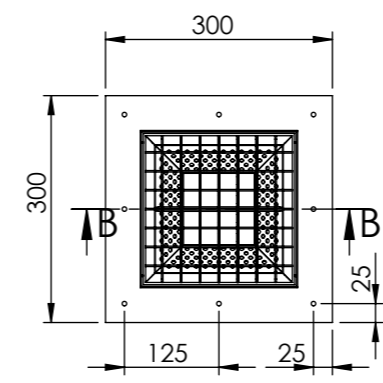
REVISIONS		
REV.	DESCRIPTION	DATE

Kitchen Gully

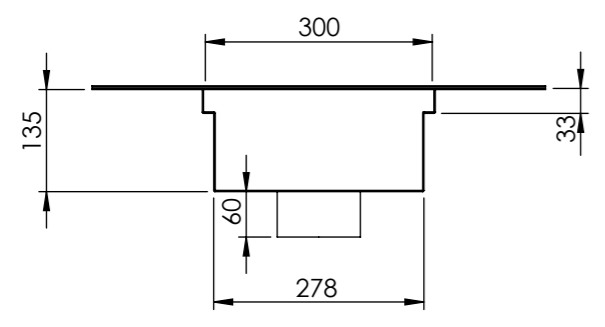
Dishwash Gully



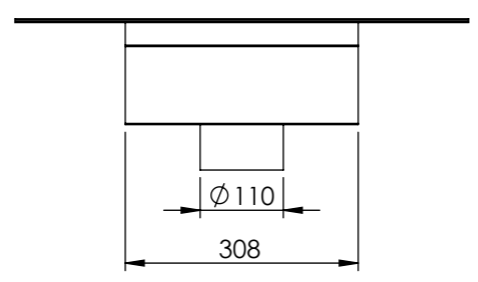
SECTION A-A
SCALE 1 : 10



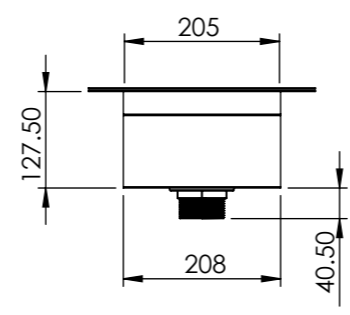
SECTION B-B
SCALE 1 : 10



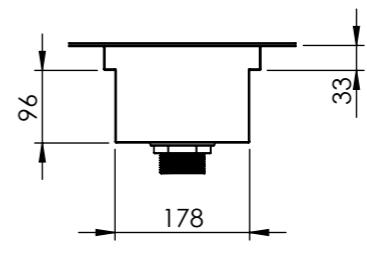
Front View



Side view



Front View



Side View

REPORT ALL ERRORS AND OMISSIONS DIMENSIONS TO BE CHECKED ON SITE
UNLESS OTHERWISE SPECIFIED: DIMENSIONS ARE IN MILLIMETERS
THIS DRAWING REMAINS THE PROPERTY OF ALULINE AND MAY NOT BE COPIED REPRODUCED, LENT OR DISCLOSED WITHOUT THEIR EXPRESS PERMISSION.
ALULINE RESERVE THE RIGHT TO MAKE A CHARGE FOR DRAWINGS

TITLE
Dishwash and Kitchen Gully

CLIENT
PKL

Aluline Group
59-62 BRINDLEY ROAD
ASTMOOR INDUSTRIAL ESTATE
RUNCORN
CHESHIRE WA7 1PF

TEL: 01928 563532 FAX: 01928 580224

SCALE	DATE	DRAWN BY
	10/09/2008	ctorralba

Third Angle Projection	DRAWING NO	REV