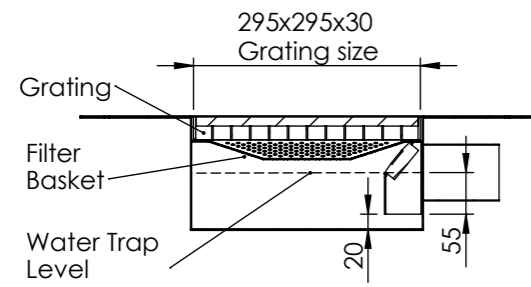
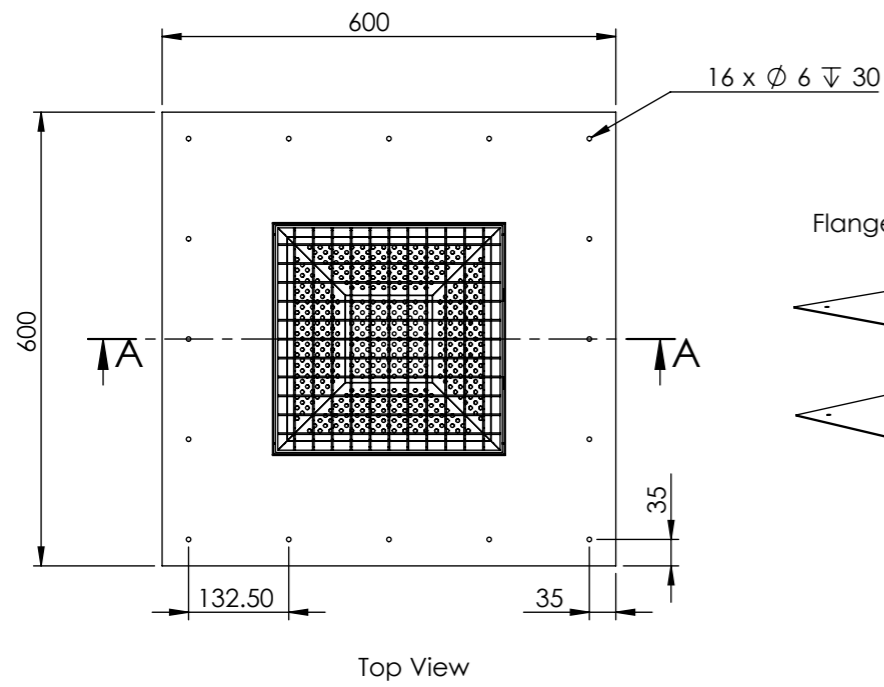


REVISIONS		
REV.	DESCRIPTION	DATE

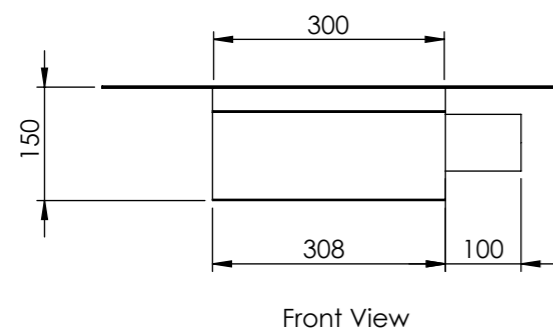
300 x 300 FLOOR GULLY HORIZONTAL OUTLET



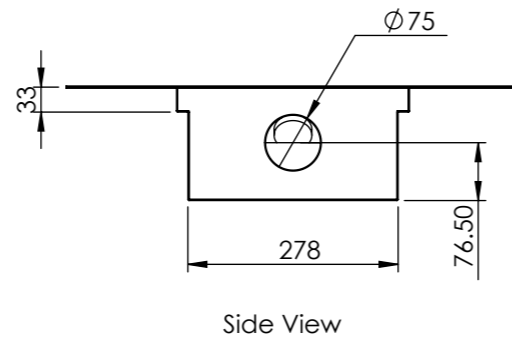
SECTION A-A
SCALE 1 : 10



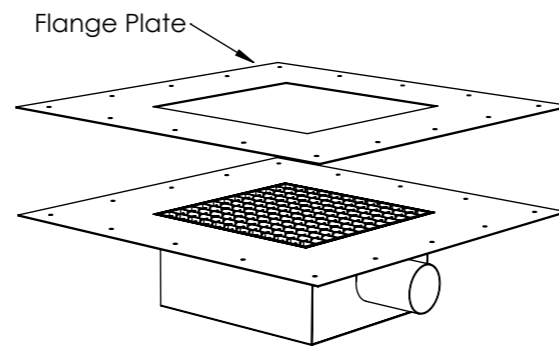
Top View



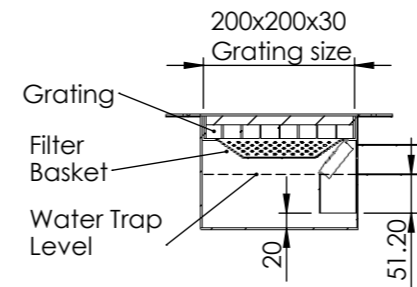
Front View



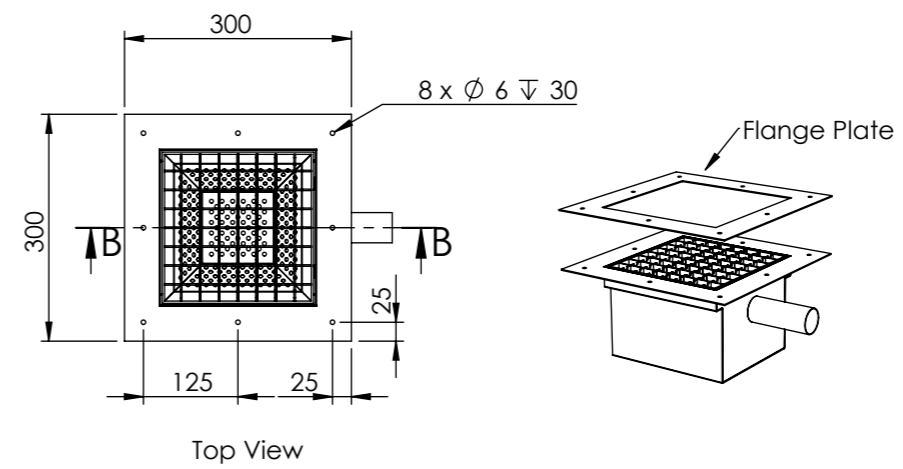
Side View



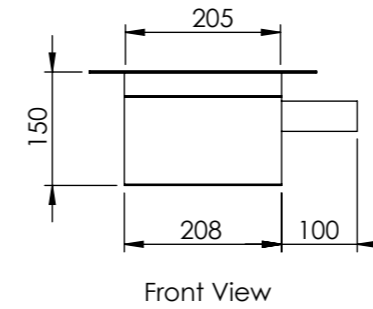
200 x 200 FLOOR GULLY HORIZONTAL OUTLET



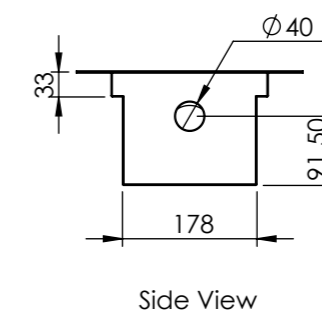
SECTION B-B
SCALE 1 : 10



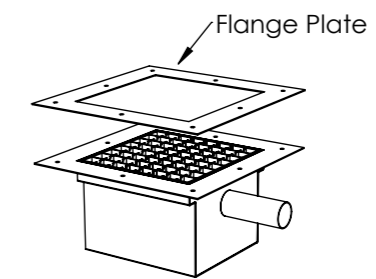
Top View



Front View



Side View



Note:
 Gully - Stainless Steel 304 x 1.5 mm
 Flange cover plate - Stainless Steel 304 x 1.5 mm
 Filter Basket - Stainless Steel 304 x 1.5 mm
 Grating - Stainless Steel 304 x 2.0 mm

REPORT ALL ERRORS AND OMISSIONS
DIMENSIONS TO BE CHECKED ON SITE

UNLESS OTHERWISE SPECIFIED:
DIMENSIONS ARE IN MILLIMETERS

THIS DRAWING REMAINS THE PROPERTY OF
ALULINE AND MAY NOT BE COPIED REPRODUCED,
LENT OR DISCLOSED WITHOUT THEIR
EXPRESS PERMISSION.

ALULINE RESERVE THE RIGHT TO MAKE A CHARGE
FOR DRAWINGS

TITLE

Floor Gully

CLIENT

PKL



59-62 BRINDLEY ROAD
ASTMOOR INDUSTRIAL ESTATE
RUNCORN
CHESHIRE WA7 1PF

TEL: 01928 563532 FAX: 01928 580224

SCALE	DATE	DRAWN BY
	05/09/2008	ctorralba

DRAWING NO	REV