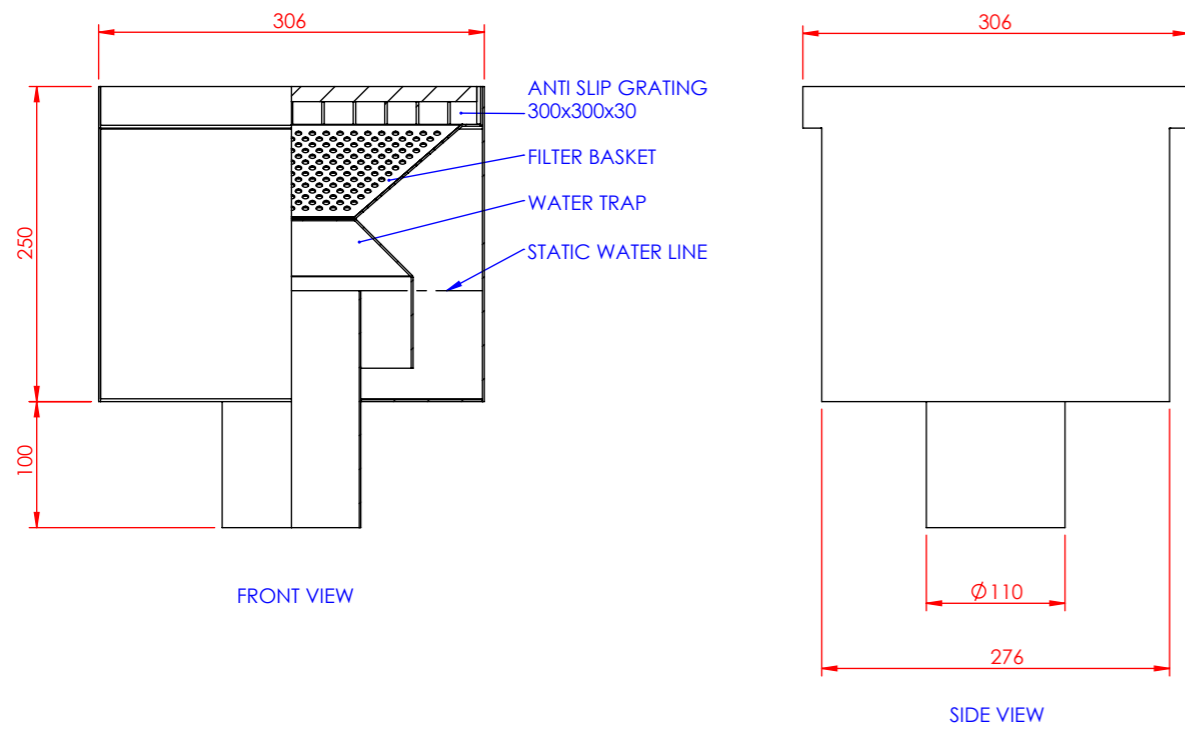
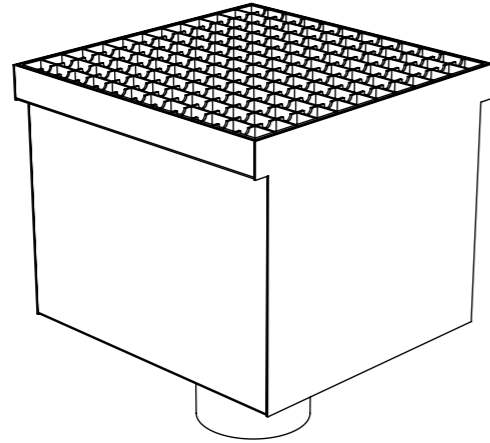
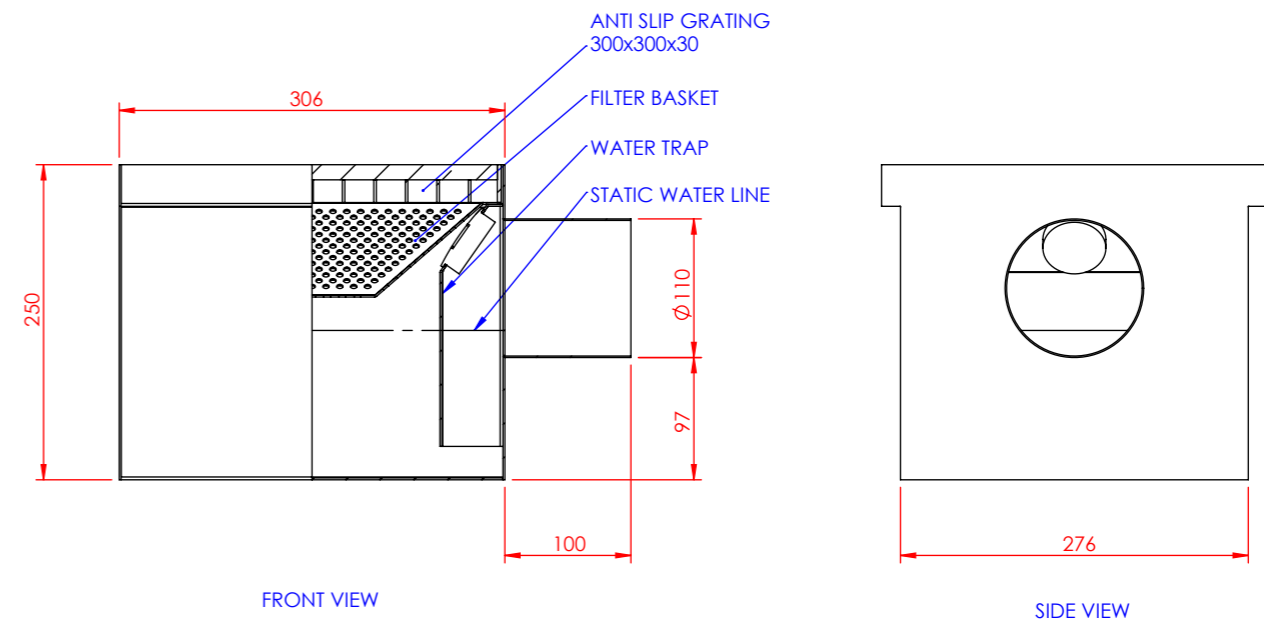
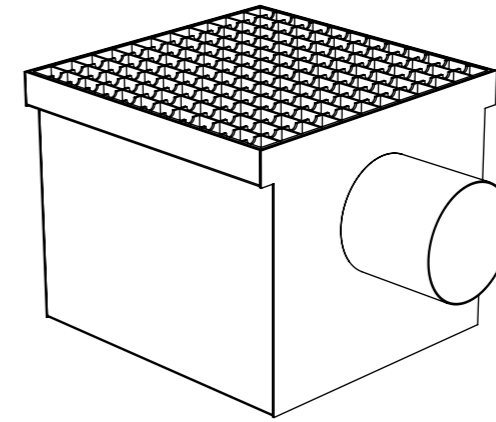


## VERTICAL OUTLET



## HORIZONTAL OUTLET

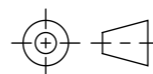


59-62 BRINDLEY ROAD  
ASTMOOR INDUSTRIAL ESTATE  
RUNCORN, CHESHIRE WA7 1PF  
TEL: 01928 563532  
FAX: 01928 580224

THIS DRAWING REMAINS THE PROPERTY OF ALULINE GROUP AND MAY NOT BE COPIED, REPRODUCED, LENT OR DISCLOSED WITHOUT THEIR EXPRESS PERMISSION.

ALULINE GROUP RESERVE THE RIGHT TO MAKE A CHARGE FOR DRAWING/S

PROJECTION



DIMENSIONS IN MILLIMETERS (mm)

DRAWN BY: ctorralba

DATE: 24.06.2010

TITLE:

300 x 300 FLOOR GULLY

DRAWING NO.

GU-1015

SCALE:

1:6 @ A3

REV

?